

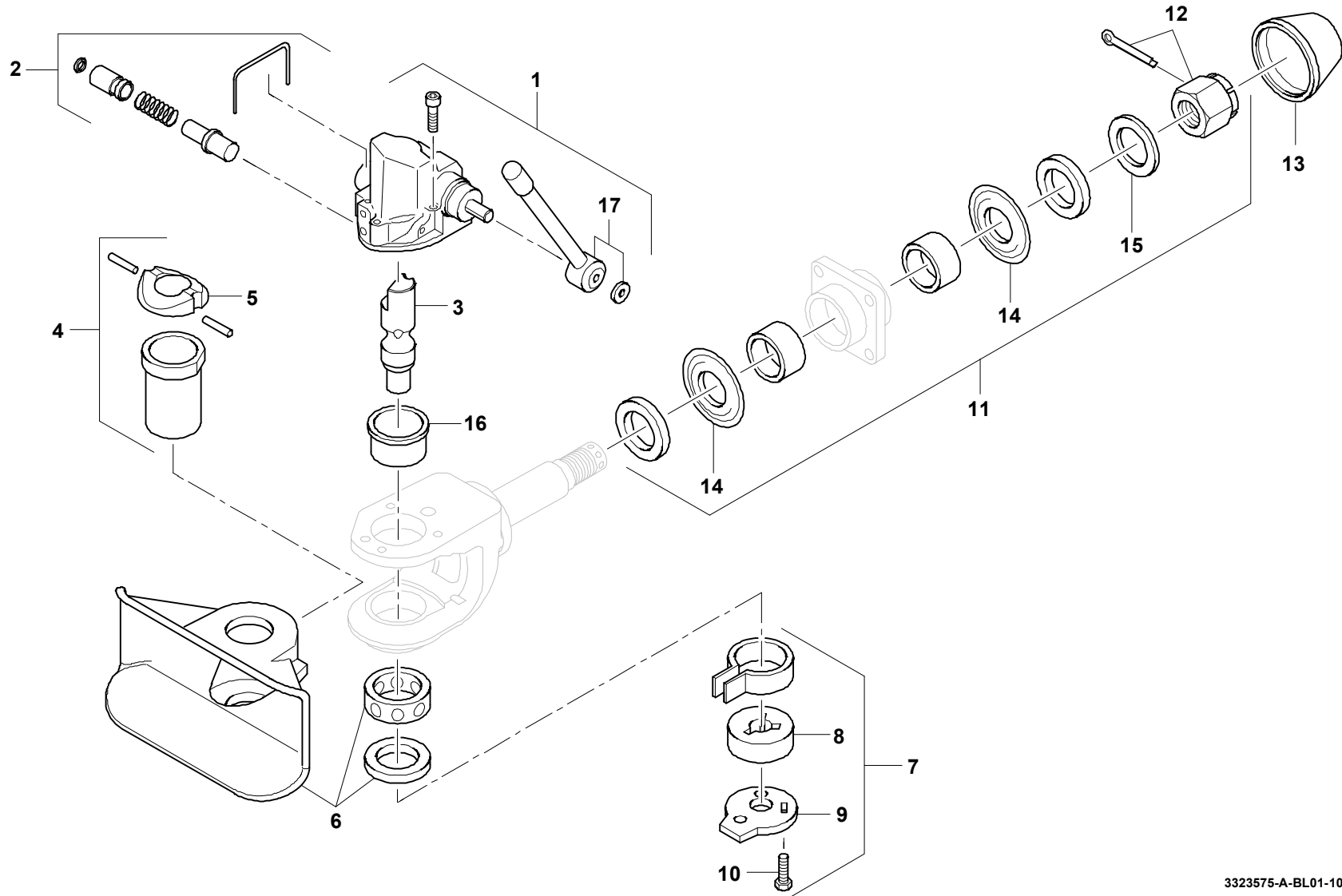
**GROVE**
**ANHAENGERKUPPLUNG**  
**TRAILER COUPLING**

 BILDTADEL  
 PICTORIAL DISPLAY

10.08

**3323575-ETL A**

1/1

**GMK 5220**  
**BE 758**  
**G 000**


3323575-A-BL01-1008-0000